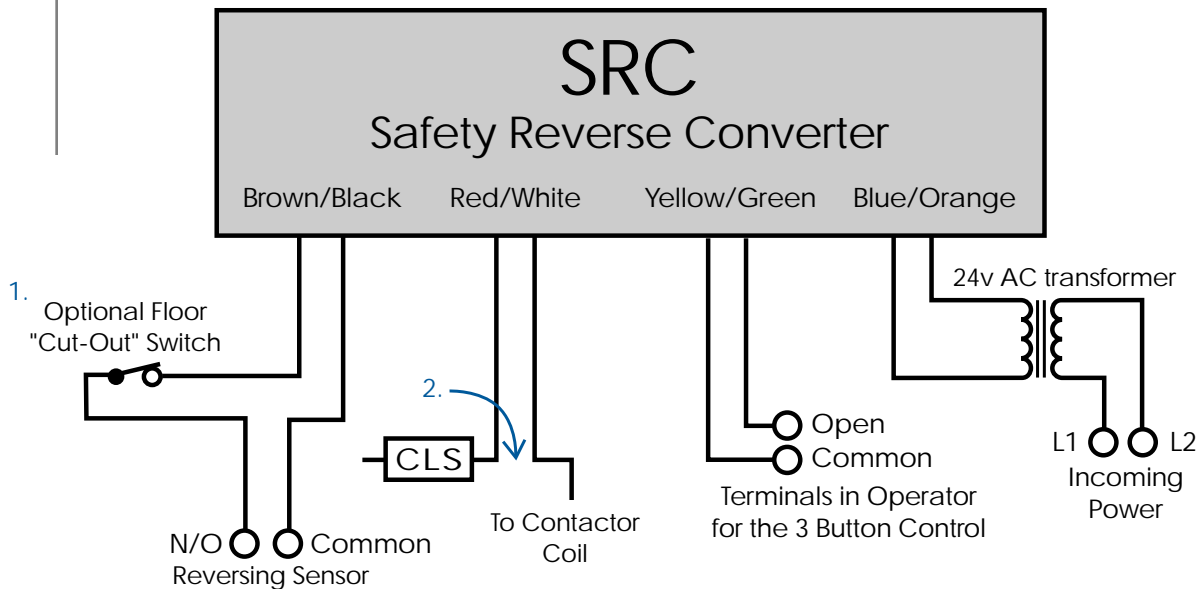


Wiring diagram



The Safety Reverse Converter is a control circuit that converts older style commercial operators with a non-reversing motor controller to *stop, pause, and reverse*, when a sensor detects an obstruction.

- Before wiring, *all* door controls (open, stop, close) must work properly from *each* 3 button station. Turn power off to opener.
- The SRC terminates with 4 pairs of wires: *1st pair*– connects to obstruction sensor; *2nd pair*– connects to the close limit switch; *3rd pair*– connects to open and common terminals in the operator for the 3 button control; *4th pair*– connects to 24 VAC.
- The SRC only activates when the sensor detects an obstruction.

1. *A floor cut-out switch is an option wired in series with the brown or black SRC wire and the obstruction sensor to prevent the door from reversing once it is in the closed position. This switch is mandatory when used with bottom door edge.*
2. *To connect the red and white SRC wires to the close limit switch (CLS), remove or cut the existing wire, located on the side of limit switch that goes to contactor coil. Attach red SRC wire to CLS terminal. Attach the white SRC wire to the previously removed CLS wire.*

NOTE: If operator and reversing system do not function properly after wiring in the SRC, disconnect system and consult with distributor immediately.

additional **DOMINO** products



DOMINO ENGINEERING CORPORATION

P.O. Box 376 • Taylorville, IL 62568 • www.dominoengineering.com
1-800-7DOMINO (1-800-736-6466) • 217-824-9441 • Fax (217) 824-3349

- Garage Door Keypad
- Wireless Garage Door Alarm
- Entry Door Keypad
- Radio control adapter for commercial doors